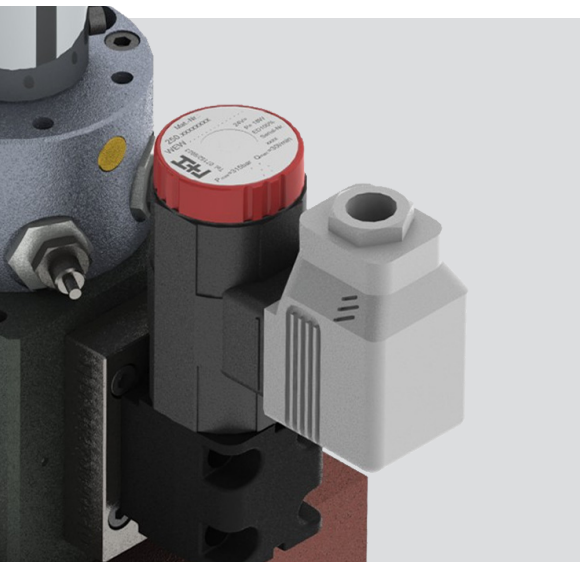


## Electronic Pulse Generator

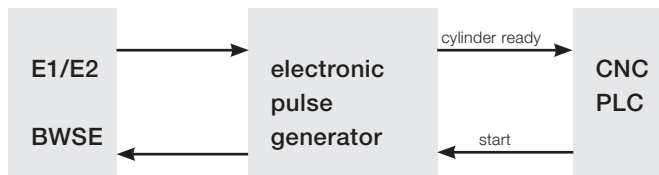


The electronic pulse generator is the simple control for BWSE punch drives. The monitoring of the entire process and the valve control are taken over by the electronic pulse generator. With the electronic pulse generator the integration of the linear actuator to the machine control is done with few electrical inputs and outputs.

## Features

- simple control for BWSE punch drives
- integrated control in the plug

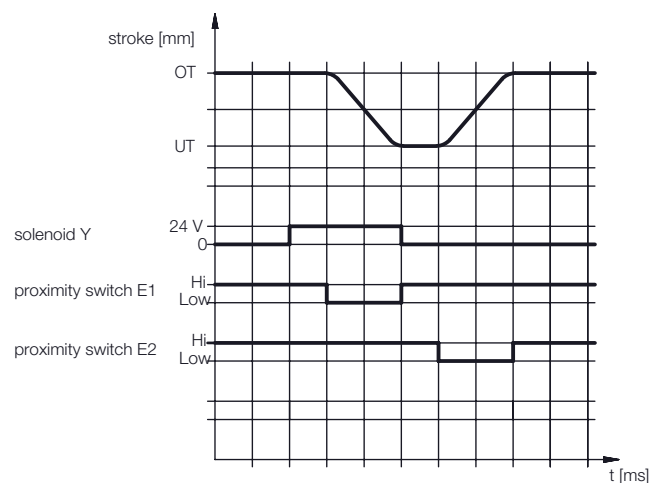
## Functional Diagram



## Function: Short Description

- basic position cylinder, E1/E2 high (LED lights), start signal from control (e.g. SPS)
- signal output „cyl. ready“ is 0
- Y1 is switched on
- punching cylinder moves towards BDC
- E1 is low
- just before BDC E1 is high
- Y1 switched off
- punching cylinder moves towards TDC
- E2 is low
- just before TDC E2 is high
- signal output „cyl. ready“ is 1
- punching cylinder is in TDC

## Diagram:



## Technical Data Electronic Pulse Generator - Internal Proximity Switch

### Electric

Supply voltage	24 VDC (18 to 30V DC)
Solenoid voltage	continuous 4 A
Internal power Consumption	15 mA with an active LED (standby mode)
Fuse	without, sluggish external current fuse 4 A
Start input	input resistance 10 k $\Omega$ , signal voltage +4 V to +30 V / 3 mA
	Recognition of the rising positive edge, debouncing and suppression of signals with 1 ms without voltage
Signal output	24 VDC max. 20 mA, short-circuit protected
Operating temperature	0 °C to 50 °C
Case	Hirschmann angle connector type GDM, transparent cover, for 3-pole connector with PE, contacts DIN 43650
Electric connection	Delivered with 3 m cable 7x 0,5 mm <sup>2</sup> with ferrules
Display	green LED lights on power supply; yellow LED lights up at cylinder shutdown in BDC

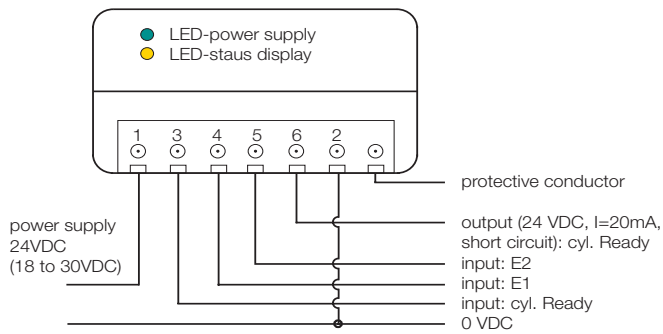
## Cable Wiring: Plug

wire-Nr.	function	signal
1	supply voltage	24 VDC
2	reference potential	0 VDC
3	switching input „cyl. Start“	START
4	signal input „cyl. extend“	E1
5	signal input „cyl. retract“	E2
6	signal output „cyl. ready“	READY
gn/yw	protective conductor	PE

## Wiring Diagram: E1/E2

wire color	function	signal
brown	supply voltage	24 V DC
blue	reference potential	0 V DC
black	E1: cyl. move down E2: cyl. move up	E1 E2

## Wiring Diagram: Electronic Pulse Generator (7-wire)



Voith Turbo H + L Hydraulic GmbH & Co. KG  
 Schuckertstraße 15  
 71277 Rutesheim, Germany  
 Tel. +49 7152 992-3  
 Fax +49 7152 992-400  
 sales-rut@voith.com

voith.com



**VOITH**  
 Engineered Reliability